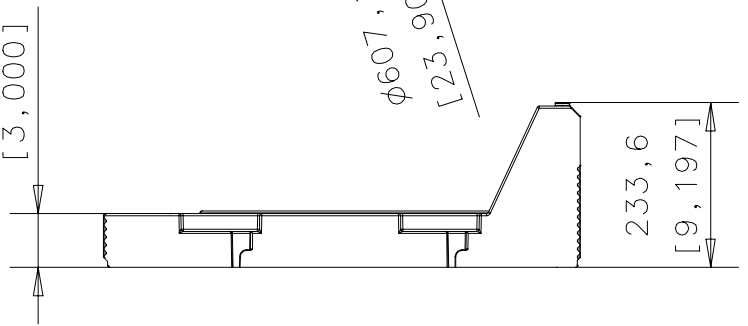


ROLL TYPE	HOLE DIAMETER	
	MM	INCH
24/08	181.0	7.126
24/12	292.1	11.501

NOTE: 24/08 HAS TABS AT END OF HOLE

76,2

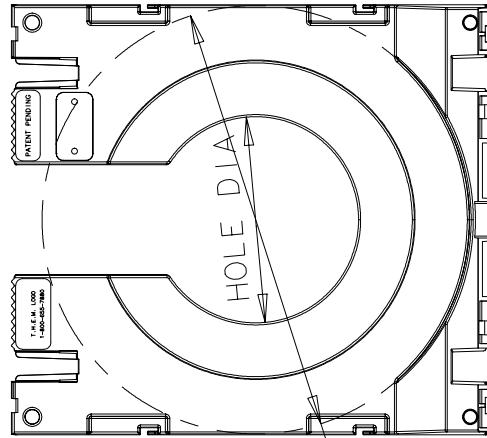
[3,000]



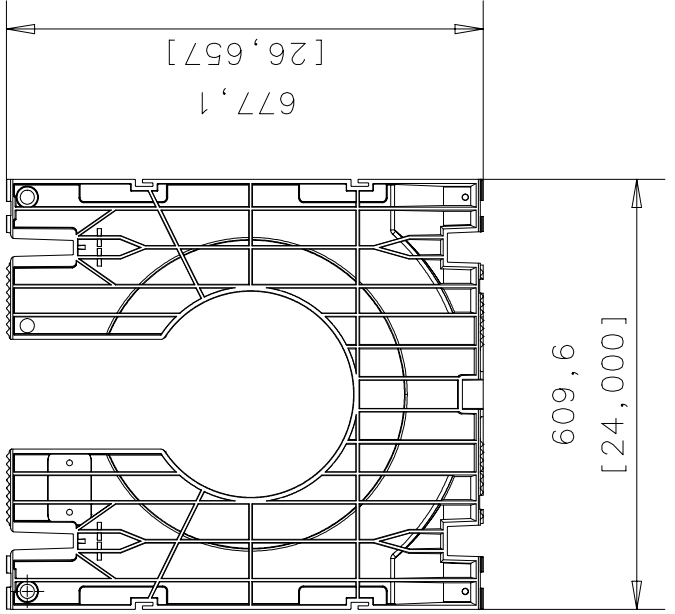
$\phi 607,1$
[23,902]

233,6

[9,197]



HOLE DIA



677,1
[26,657]

609,6

[24,000]